

DRAWING NAME:
Outside 45 Barricade

DRAWING NUMBER:
8.5x11 PDF

LATEST REVISION DATE:
01/29/2024

SCALE:
AS NOTED

DRAWN BY:
Yael R.

FILE NAME:
Fixed 45 Outside Dimensions.vwx

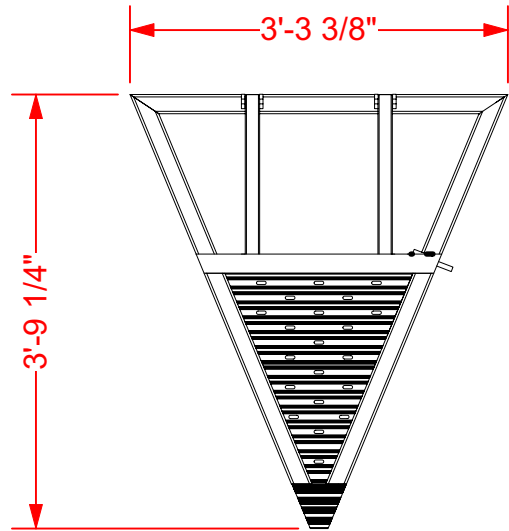
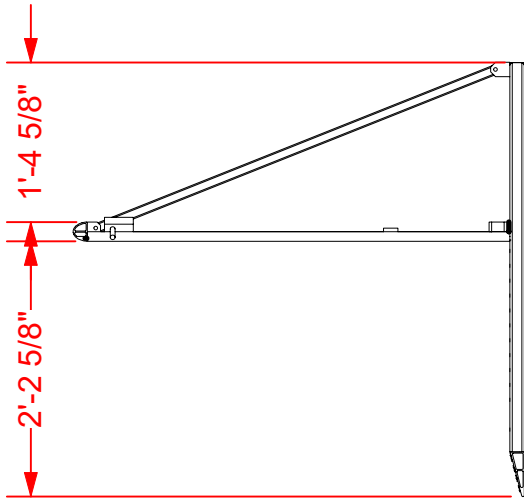
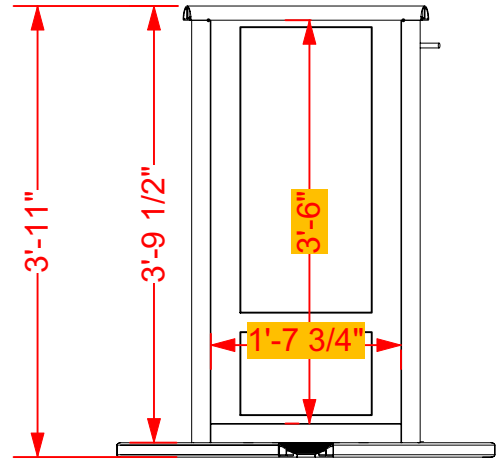
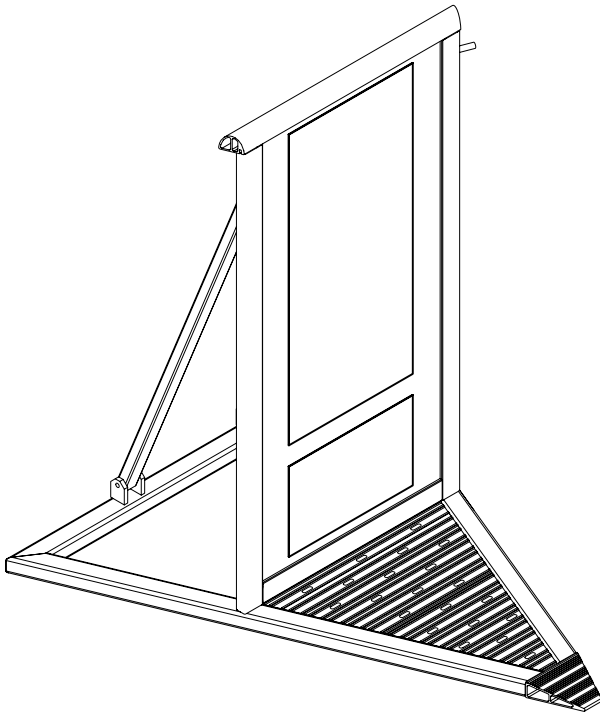
Unless specified otherwise, all dimensions are in inches.

Tolerances:
Angular +/- 0.05 degrees
Fractions +/- 1/32
Decimals +/- 0.010

Do not scale drawing. Remove burrs & sharp corners. Clean all welds.

This drawing is the property of Guardian Barriers, and can not be duplicated, modified or used for any other purposes without written permission from Guardian Barriers. Use of this drawing for bidding is strictly prohibited. Verify all dimensions, specifications and field conditions before using this drawing for construction.





DRAWING NAME:

Inside 45 Barricade

DRAWING NUMBER:
8.5x11 PDF

LATEST REVISION DATE:
01/29/2024

SCALE:
AS NOTED

DRAWN BY:
Yael R.

FILE NAME:
Fixed 45 Inside Dimensions.vwx

Unless specified otherwise, all dimensions are in inches.

Tolerances:
Angular +/- 0.05 degrees
Fractions +/- 1/32
Decimals +/- 0.010

Do not scale drawing. Remove burrs & sharp corners. Clean all welds.

This drawing is the property of Guardian Barriers, and can not be duplicated, modified or used for any other purposes without written permission from Guardian Barriers. Use of this drawing for bidding is strictly prohibited. Verify all dimensions, specifications and field conditions before using this drawing for construction.

